



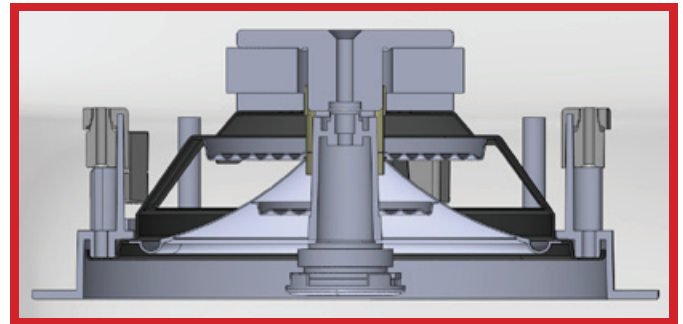
framed series

Every Preference model loudspeaker is "timbre-matched" ensuring sonic uniformity throughout the line. This means all models have been carefully engineered to have a family sound; this is also referred to as "voice matching". Certain fine loudspeakers in the audio industry become benchmarks of sound quality or reference standards by which authoritative industry experts judge all others.



K-825

- 8" 2-way round
- Frequency response: 35 Hz - 21kHz \pm 3 dB
- Power handling: 50 watts nom. 100 max.
- Sensitivity: 90dB 1 watt / 1 meter
- 8 ohm nominal
- Overall dimension: 9-3/4" dia.
- Cut-out dimension: 8-5/8" dia. x 3-3/8" depth



KEVLAR® and TETORON® DRIVER TECHNOLOGY

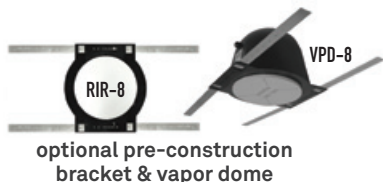
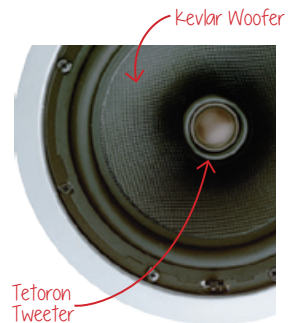
Kevlar woofers and Teton tweeters help give Preference loudspeakers a lush musical sound that is rich and powerful. Extremely durable and strong, Preference speakers come with a Limited Lifetime Warranty and withstand the test of time.

FAR-FORWARD DESIGN

Preference loudspeakers are designed to have the woofer mounted as close to the grille as possible, helping the woofer & tweeter avoid being "swallowed up" by the baffle mounting, and creating more open and airy sound for every seating location.

FRONT-MOUNTED DRIVERS

Preference woofers are mounted from the front on ALL our round models, reducing the footprint by more than 1 inch, and yielding one of the smallest footprints in the industry. Less real estate on the ceiling or wall means less obtrusive installations.



Preference®

(775) 355-0405 + Fax: (775) 355-0646
www.preference-audio.com + info@preference-audio.com
Product materials & specifications are subject to change / improvement



View the entire
Preference
Product Line:

